

PART NAME INDEX

H-25 Nissan

PART NAME	Page	PART NAME	Page	PART NAME	Page	PART NAME	Page
		. BRUSH-PLUS	233B-2	. CONNECTOR ASSY-FUEL,OUTLET	170 -2		
A		. BUSH SET	110 -2	. CONNECTOR, B	223 -2	F	
ALTERNATOR ASSY	231 -2	. BUSH-OIL PUMP DRIVE SPINDLE	110 -2	. CONNECTOR-BYPASS	210 -2	. FAN-COOLING	210 -2
ARMATURE ASSY	233A-2			. CONNECTOR-MANIFOLD	140 -2	. FILTER	160 -2
	233B-2	C		. CONTROL ASSY-VACUUM	221 -2	. FILTER ASSY-OIL	150 -2
		. CABLE SET-HIGH TENSION	220 -2	. COVER	135 -2	. FILTER-OIL	110 -2
B		. CABLE-HIGH TENSION, NO 1	220 -2	. COVER	160 -2	. FLOAT	160 -2
BALL-SHIFT LEVER	233B-2	. CABLE-HIGH TENSION, NO 2	220 -2	. COVER ASSY-FRONT	231 -2	. FLYWHEEL ASSY	120 -3
BAND ASSY-BODY COVER	170 -2	. CABLE-HIGH TENSION, NO 3	220 -2	. COVER ASSY-REAR	231 -2		
BAR-ADJUSTING, ALTERNATOR	230 -2	. CABLE-HIGH TENSION, NO 4	220 -2		233A-2		
BEARING	191 -2	. CAMSHAFT	130 -2	. COVER ASSY-VALVE ROCKER	111 -2		
BEARING SET-CRANKSHAFT	120 -3	. CAP	233B-2	. COVER-BODY	170 -2	G	
BEARING-BALL	120 -4	. CAP ASSY-DISTRIBUTOR	221 -2	. COVER-GOVERNOR	191 -2	. GASKET KIT	160 -4
BEARING-CONNECTING ROD	120 -3	. CAP ASSY-OIL FILLER	111 -2	. COVER-THEROMO	160 -2	. GASKET-COVER	191 -2
BEARING-SPROKET	120 -3	. CAP-HANDLE	191 -2	. CRANKSHAFT ASSY	120 -3	. GASKET-CYLINDER HEAD	111 -2
BELT-FAN	210 -2	. CARBURETOR ASSY	160 -2			. GASKET-DRAIN COCK	210 -2
BLEED-MAIN AIR	160 -3	. CASE ASSY-GEAR	233A-2	D		. GASKET-FUEL PUMP	170 -2
BLOCK ASSY-CYLINDER	110 -2		233B-2	. DISTRIBUTOR ASSY	221 -2	. GASKET-INT MANIF TO GOV	191 -2
BODY COMPL-LOWER, W/ARM	170 -2	. CASE-FRONT COVER	135 -2	. DOWEL	135 -2	. GASKET-LIQUID	110 -2
BOLT	210 -2	. CHAIN-PTO	120 -3	. DOWEL PIN	135 -2	. GASKET-MANIFOLD	140 -2
BOLT-CONNECTING ROD	120 -2	. CHAIN-TIMING	130 -2	. DOWEL-BLOCK TO FRONT COVER	110 -2	. GASKET-OIL PUMP	150 -2
BOLT-CYLINDER HEAD	111 -2	. CHAMBER ASSY-CHOKE	160 -2	. DOWEL-BLOCK TO HEAD	110 -2	. GASKET-PLATE	135 -2
BOLT-DUMPER	120 -3	. CHAMBER ASSY-DIRPHRAM	160 -2	. DOWEL-BLOCK TO TRANSMISSION	110 -2	. GASKET-ROCKER COVER	111 -2
BOLT-FLYWHEEL	120 -3	. CLAMP	160 -3	. DOWEL-CLUTCH TO FLYWHEEL	120 -4	. GASKET-THERMOSTAT HOUSING	210 -2
BOLT-MAIN BEARING CAP	110 -2	. CLAMP-HOSE	191 -2	. DUCT ASSY-AIR	165 -2	. GASKET-WATER	170 -2
BOLT-PULLEY CRANKSHAFT	120 -3	. CLIP-HARNES	230 -2			. GASKET-WATER OUTLET	210 -2
BOLT-PULLEY CRANKSHAFT	120 -3	. CLIP-HARNES	223 -2	E		. GASKET-WATER PUMP	210 -2
BOLT-ROCKER SHAFT	130 -2	. CLIP-STRAINER PUMP	160 -3	. ELEMENT KIT	160 -2	. GAUGE ASSY-OIL LEVEL	110 -2
BOLT-THROUGH	231 -2	. CLUTCH ASSY	233A-2	. ENGINE COOLANT TEMPERATURE SENSOR	111 -2	. GEAR	233B-2
	233A-2		233B-2			. GEAR ASSY-INTERNAL	233B-2
	233B-2	. COCK-DRAIN	210 -2			. GEAR-RING	120 -3
BRACKET-ACCEL WIRE	160 -2	. COLLAR	160 -2			. GOVERNOR ASSY-PNEUMATIC	191 -2
BRACKET-ROCKER SHAFT	130 -2	. COLLAR	160 -3				
BRUSH SET	231 -2	. COLLET-VALVE SPRING	130 -2				
BRUSH-MINUS	233A-2	. CONNECTOR	111 -2				
BRUSH-PLUS	233A-2	. CONNECTOR ASSY	221 -2				
		. CONNECTOR ASSY-FUEL,INLET	170 -2				

PART NAME INDEX

PART NAME	Page	PART NAME	Page	PART NAME	Page	PART NAME	Page
		LEVER-OPENER	160 -3	PICK UP KIT	221 -2		
		LEVER-PUMP	160 -2	PINION ASSY	233B-2		
H		LEVER-THROTTLE	160 -3	PIPE-RUBBER	160 -2	S	
		LIFTER-VALVE	130 -2	PISTON	160 -3		
HARNES-SOLENOID	160 -2			PISTON,W/PIN	120 -2		
HEAD ASSY-CYLINDER	111 -2	M		PISTON-CHOKE	160 -2	SCREW	170 -2
HOLDER ASSY-BRUSH	233A-2			PLATE-ENGINE	135 -2	SCREW & WASHER KIT-A	160 -4
	233B-2	MANIFOLD ASSY-INTAKE	140 -2	PLATE-LOCATING,CAMSHAFT	130 -2	SCREW & WASHER KIT-B	160 -4
HORN ASSY-AIR	165 -2	MANIFOLD-EXHAUST	140 -2	PLATE-STOPPING	160 -2	SCREW KIT	221 -2
HOSE-BLOWBY	118 -2	METAL-GEAR CASE	233A-2	PLATE-THERMO COVER	160 -2	SCREW KIT-ADJUSTER	191 -2
HOSE-VACUUM	160 -2	METAL-REAR COVER	233A-2	PLUG	130 -2	SCREW SET	231 -2
HOSE-VACUUM CONTROL	223 -2	MOTOR ASSY-STARTER	233A-2	PLUG-BLIND	110 -2		233A-2
HOSE-WATER	191 -2			PLUG-DRAIN	110 -2		233B-2
	210 -2			PLUG-SPARK	220 -2	SCREW SET-ROCKER SHAFT	130 -2
HOSE-WATER,BYPASS	210 -2			PLUG-TAPER	110 -2	SCREW-ADJUST,IDLE	160 -3
HOUSING SET	221 -2	N			111 -2	SCREW-ADJUST,VALVE ROCKER	130 -2
HOUSING-FLYWHEEL	135 -2			PLUG-WELCH	110 -2	SCREW-IDLEADJUST	160 -3
HOUSING-THERMOSTAT	210 -2	NUT	111 -2	POINT ASSY-CARBON	221 -2	SEAL-DIST ADJUST	191 -2
		NUT	160 -2	PTC	160 -2	SEAL-O RING	165 -2
		NUT ASSY-PULLEY	231 -2	PULLEY ASSY	231 -2		170 -2
IGNITION UNIT	221 -2	NUT-CONNECTING ROD	120 -2	PULLEY-CRANKSHAFT	120 -3		221 -2
INSULATOR	160 -4	NUT-LOCK,ROCKER PIVOT SCREW	130 -2	PULLEY-FAN & WATER PUMP	210 -2	SEAL-OIL	135 -2
				PUMP ASSY-FUEL	170 -2	SEAL-OIL,CRANKSHAFT REAR	110 -2
J		O		PUMP ASSY-OIL	150 -2	SEAL-OIL,VALVE	130 -2
JET-MAIN	160 -3	ORIFICE-NO 1	223 -2	PUMP ASSY-WATER	210 -2	SEAT-DRAIN COCK	110 -2
JET-POWER	160 -3	OUTLET-WATER	111 -2			SEAT-VALVE,EXHAUST	111 -2
	160 -4		210 -2	R		SEPARATOR ASSY-BRETHER	118 -2
JET-SLOW	160 -3			RECTIFIRE ASSY	231 -2	SHAFT-PINION	233B-2
		P		REGULATOR-IC	231 -2	SHAFT-ROCKER	130 -2
		PACKING	233B-2	RETAINER-OIL SEAL,REAR	110 -2	SLEEVE	160 -3
LEVER SET-SHIFT	233A-2	PACKING-OIL FILLER CAP	111 -2	RETAINER-VALVE SPRING	130 -2	SLINGER-ENGINE	111 -2
	233B-2	PAN ASSY-OIL	110 -2	RING SET-PISTON	120 -2	SPACER-AIR HORN	165 -2
				RING-HIGH TENSION CABLE	220 -2	SPACER-FAN	210 -2
				ROCKER-VALVE	130 -2	SPACER-FUEL PUMP	170 -2
				ROD COMPLE-CONNECTING	120 -2	SPRING	233B-2
				ROD-PUMP	160 -3	SPRING-BRUSH	233A-2
				ROD-PUSH	130 -2		233B-2
				ROTOR	231 -2	SPRING-FUEL STRAINER	170 -2
				ROTOR-HEAD	221 -2	SPRING-INJECTOR	160 -3
						SPRING-RETURN,PISTON	160 -3
						SPRING-ROCKER	130 -2
						SPRING-SCREW,ADJUST	160 -3

PART NAME INDEX

PART NAME	Page	PART NAME	Page	PART NAME	Page	PART NAME	Page
SPRING-THROTTLE	160 -3						
SPRING-THROTTLE PRIMARY	160 -3						
SPRING-VALVE	130 -2	W					
SPROCKET-CAMSHAFT	130 -2						
SPROCKET-CRANKSHAFT	120 -3						
SPROCKET-PTO	120 -3	WASHER	111 -2				
SPROCKET-PTO DRIVEN	120 -3	WASHER SET-THRUST	233A -2				
STATOR ASSY	231 -2	WASHER-DRAIN PLUG	110 -2				
STOPPER	160 -2	WASHER-PLAIN	130 -2				
STOPPER SET-PINION	233A -2	WASHER-ROCKER SHAFT	130 -2				
	233B -2	WAX-PUMP	160 -2				
STRAINER-PUMP	160 -3	WEIGHT-PUMP	160 -2				
STUD-OIL FILTER	150 -2	WIRE KIT-GOVERNOR	191 -2				
STUD-ROCKER COVER	111 -2	WIRE-CAM BAND	191 -2				
SW-OIL PRESSURE	110 -2						
SWITCH ASSY-MAGNETIC	233A -2	Y					
	233B -2						
T		YOKE	233A -2				
			233B -2				
TENSION ASSY-CHAIN	130 -2	YOKE-MANIFOLD	140 -2				
THERMOSTAT ASSY	210 -2						
TUBE ASSY-FUEL PUMP TO CARBURETOR ...	164 -2						
V							
VALVE ASSY	170 -2						
VALVE ASSY-CONTROL	118 -2						
VALVE ASSY-DELAY	223 -2						
VALVE ASSY-RELIEF	150 -2						
VALVE-EXHAUST	130 -2						
VALVE-INTAKE	130 -2						
VALVE-NEEDLE	160 -2						
VALVE-SOLENOID, ANTI DIESEL	160 -3						
VALVE-SOLENOID, MAIN CUT	160 -3						
VENTURI	160 -3						

HOW TO USE THIS PARTS CATALOG.

- The parts marked with "O" in Model columns are the applied parts.
- The parts marked with "*" in S columns are not available.
- "AR" in Quantity columns stands for AS REQUIRED.
- The interchangeability of the parts are indicated in ICA NF columns as follows.
 - 2-2.....The new and former parts are interchangeable between each other.
 - 2-0.....The new part can be used in place of the former part, but the former one cannot be used in place of the new one.
 - 0-2.....The former part can be used in place of the new part, but the new one cannot be used in place of the former one.
 - 0-0.....The new and former parts are not interchangeable.
 - 5-0.....The interchangeable is provided when the parts are used as a set. The details are shown in the illustration.
Symbol "←" in the table indicates that the former part(left side)can be used in place of the new part(right side).

PRECAUTIONS

- There are a few illustrations which are replaced by the typical model.
- The contents of this catalog may be changed,deleted and added without prior notice.

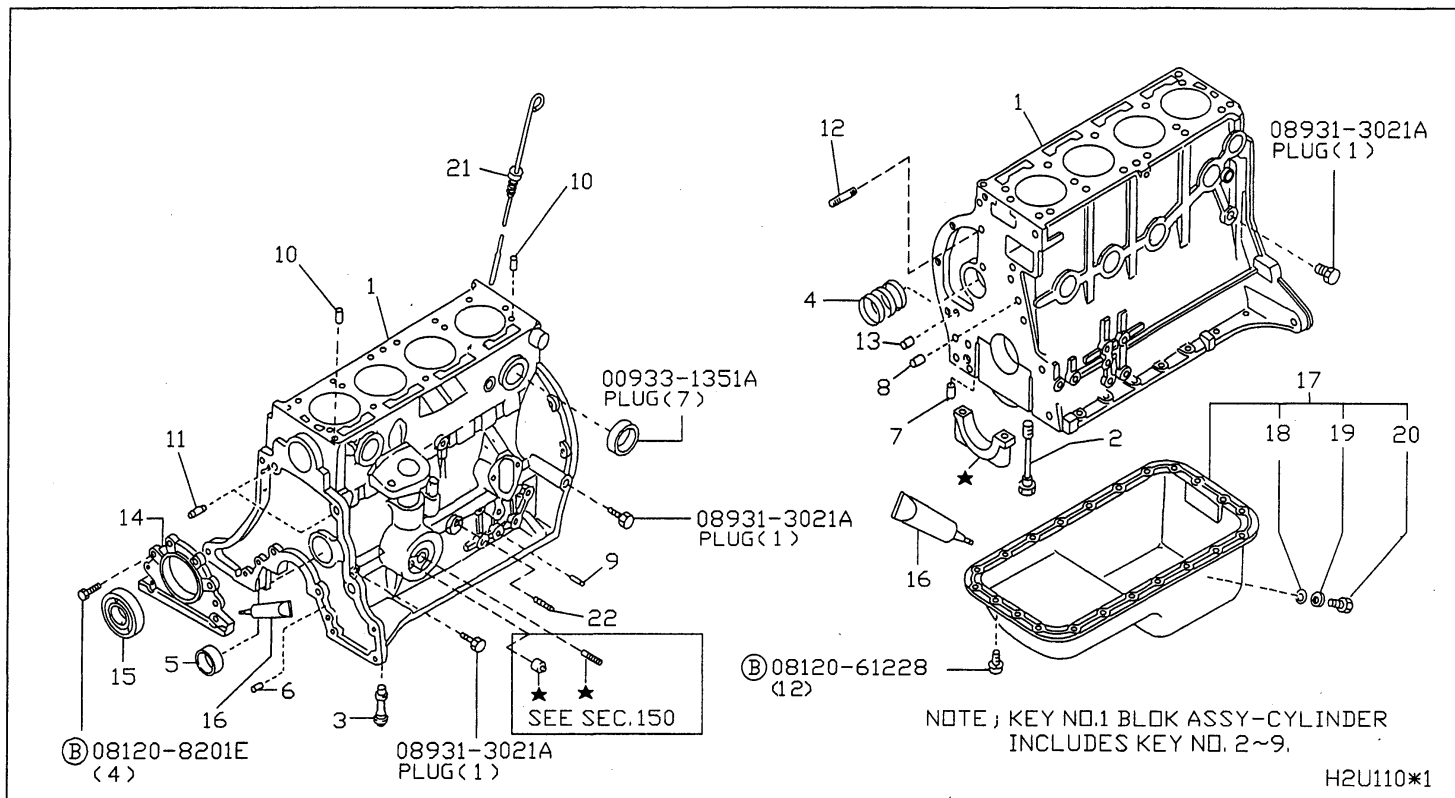
MODEL

APPLIED No.	ENGINE ASSY	ENGINE TYPE	TRANSMISSION		LOCATION OF FAN		APPLICATION	APPLIED DATE
		GAS	ATM	MTM	LOW	HIGH		
01	10100-84V80	○	○		○		H15 NISSAN STD	0498-
02	10100-85V80	○	○		○		H20 NISSAN STD	0498-
03	10100-86V80	○	○		○		H25 NISSAN STD	0498-
04	10100-77V00	○	○		○		H15 MANLIFT STD	0498-
05	10100-77V10	○	○		○		H20 MANLIFT STD	0498-
06	10100-77V20	○	○		○		H25 MANLIFT STD	1096-

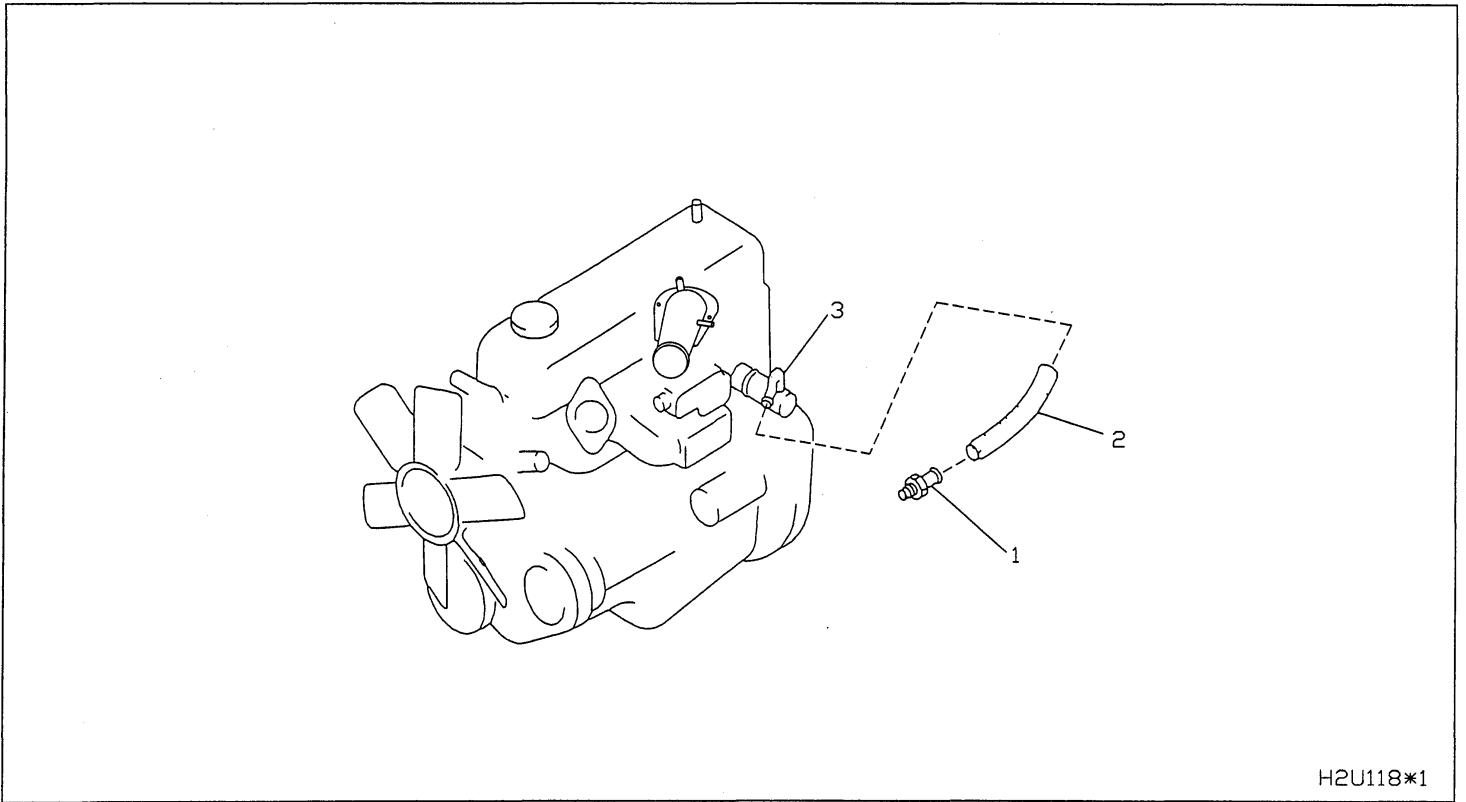
SECTION INDEX

SEC.	NAME	SEC.	NAME
110	CYLINDER BLOCK & OIL PAN		
111	CYLINDER HEAD & ROCKER COVER		
118	CRANKCASE VENTILATION		
120	PISTON, CRANKSHAFT & FLYWHEEL		
130	CAMSHAFT & VALVE MECHANISM		
135	FRONT COVER & FITTING		
140	MANIFOLD		
150	LUBRICATING SYSTEM		
160	CARBURETOR		
164	FUEL PIPING		
165	AIR CLEANER		
170	FUEL PUMP		
191	GOVERNOR		
210	WATER PUMP, COOLING FAN & THERMOSTAT		
220	IGNITION SYSTEM		
221	DISTRIBUTOR		
223	VACUUM PIPING		
230	ALTERNATOR FITTING		
231	ALTERNATOR		
233A	STARTER MOTOR		
233B	STARTER MOTOR		

SEC.110 CYLINDER BLOCK & OIL PAN

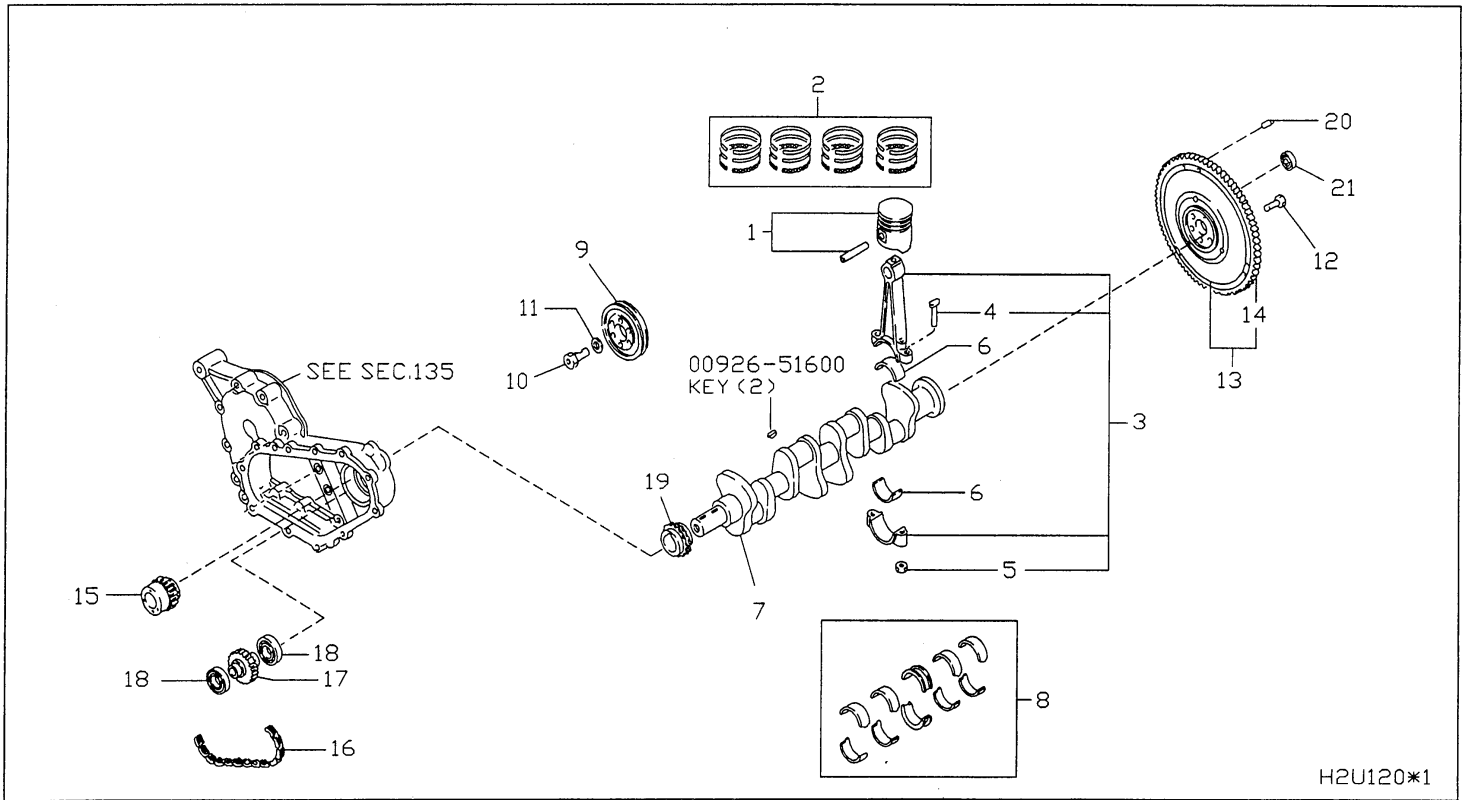


SEC.118 CRANKCASE VENTILATION

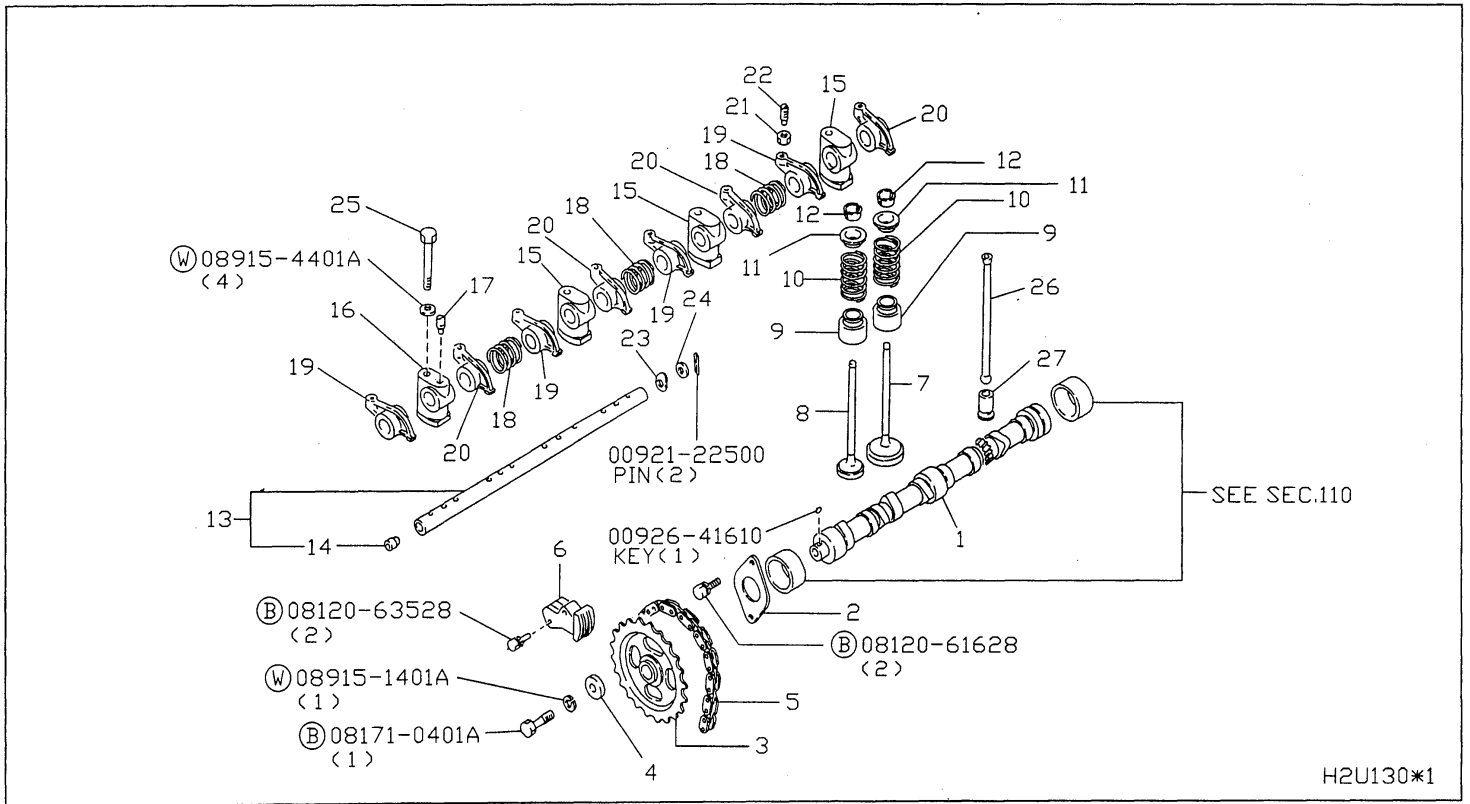


H2U118*1

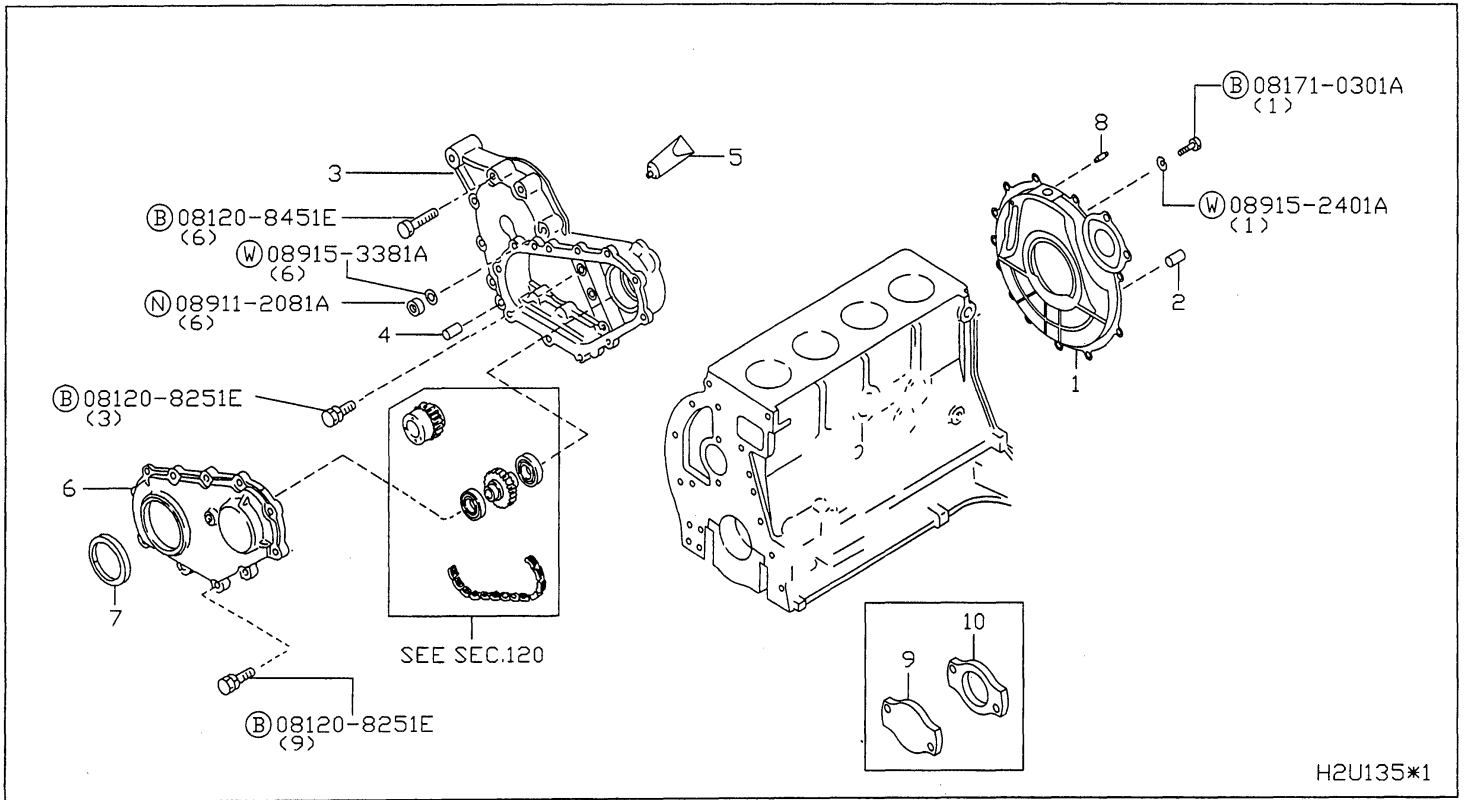
SEC.120 PISTON,CRANKSHAFT & FLYWHEEL



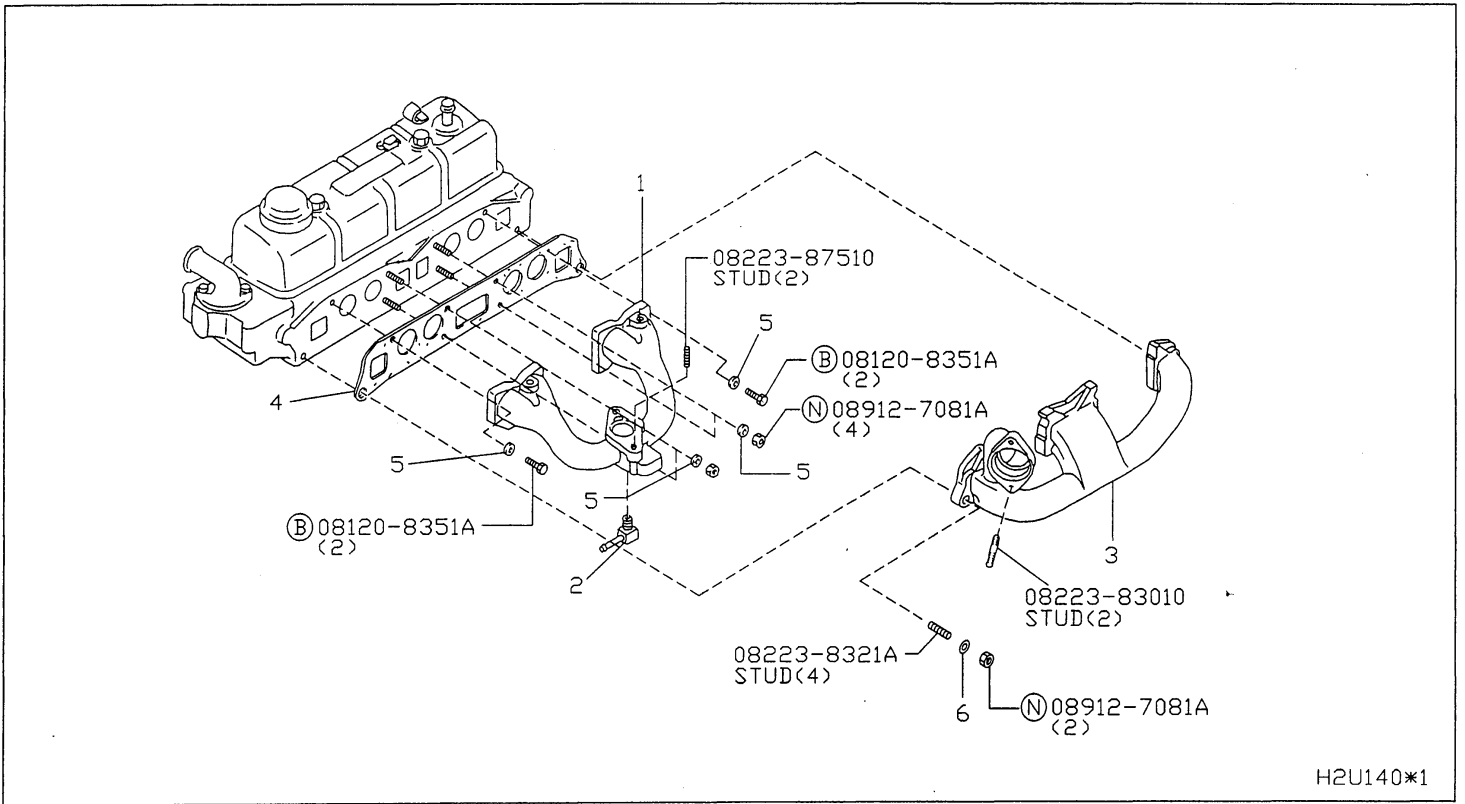
SEC.130 CAMSHAFT & VALVE MECHANISM



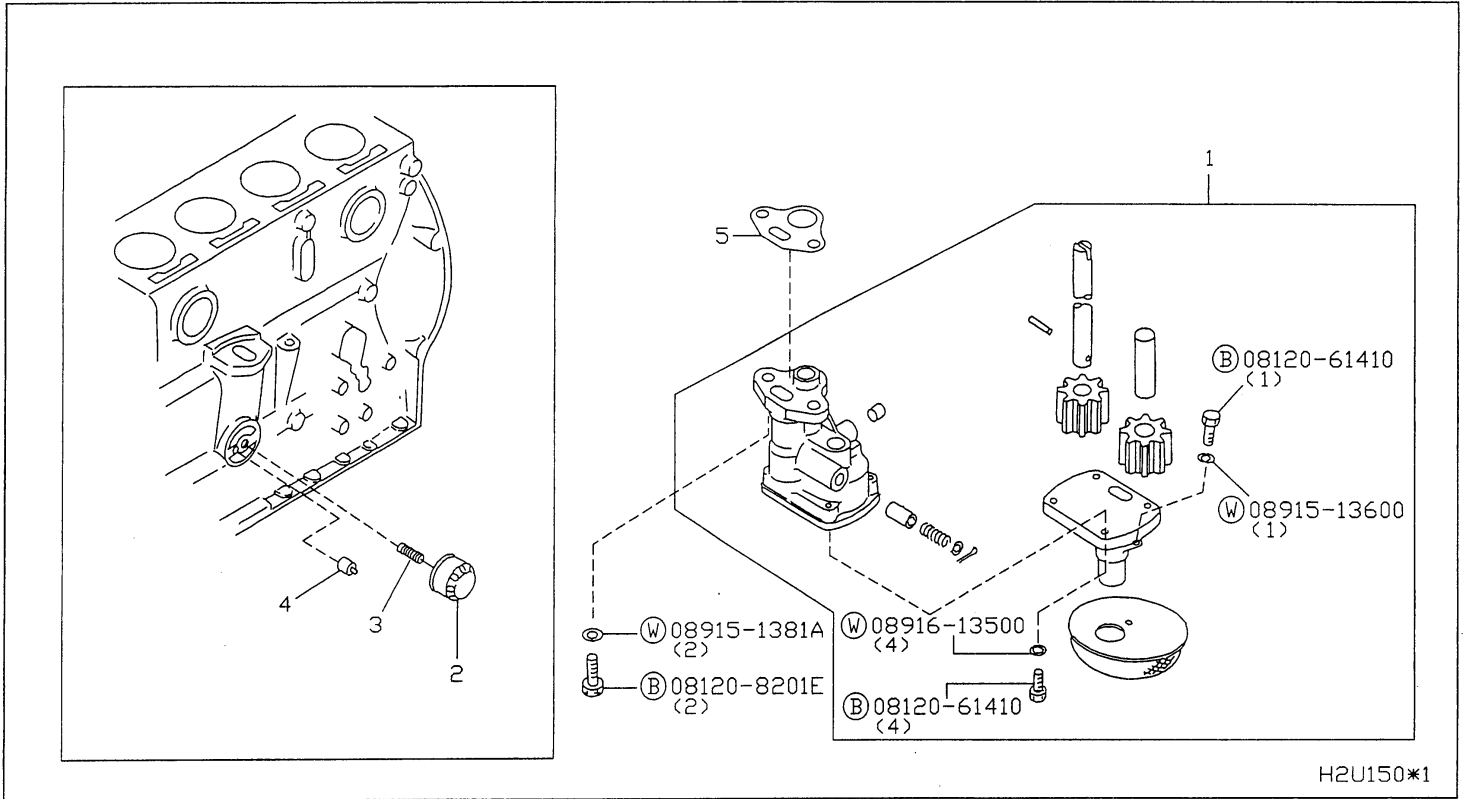
SEC.135 FRONT COVER & FITTING



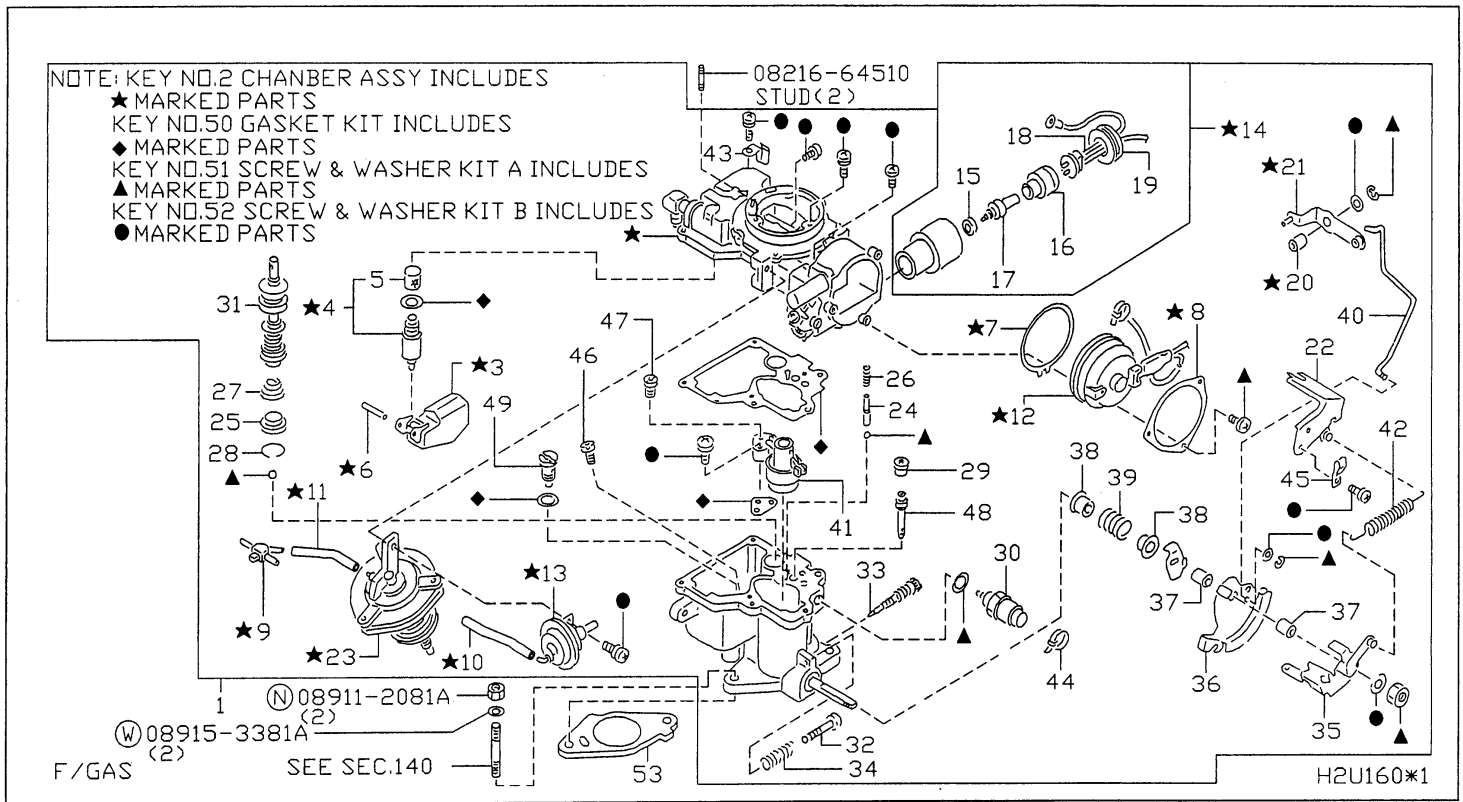
SEC.140 MANIFOLD



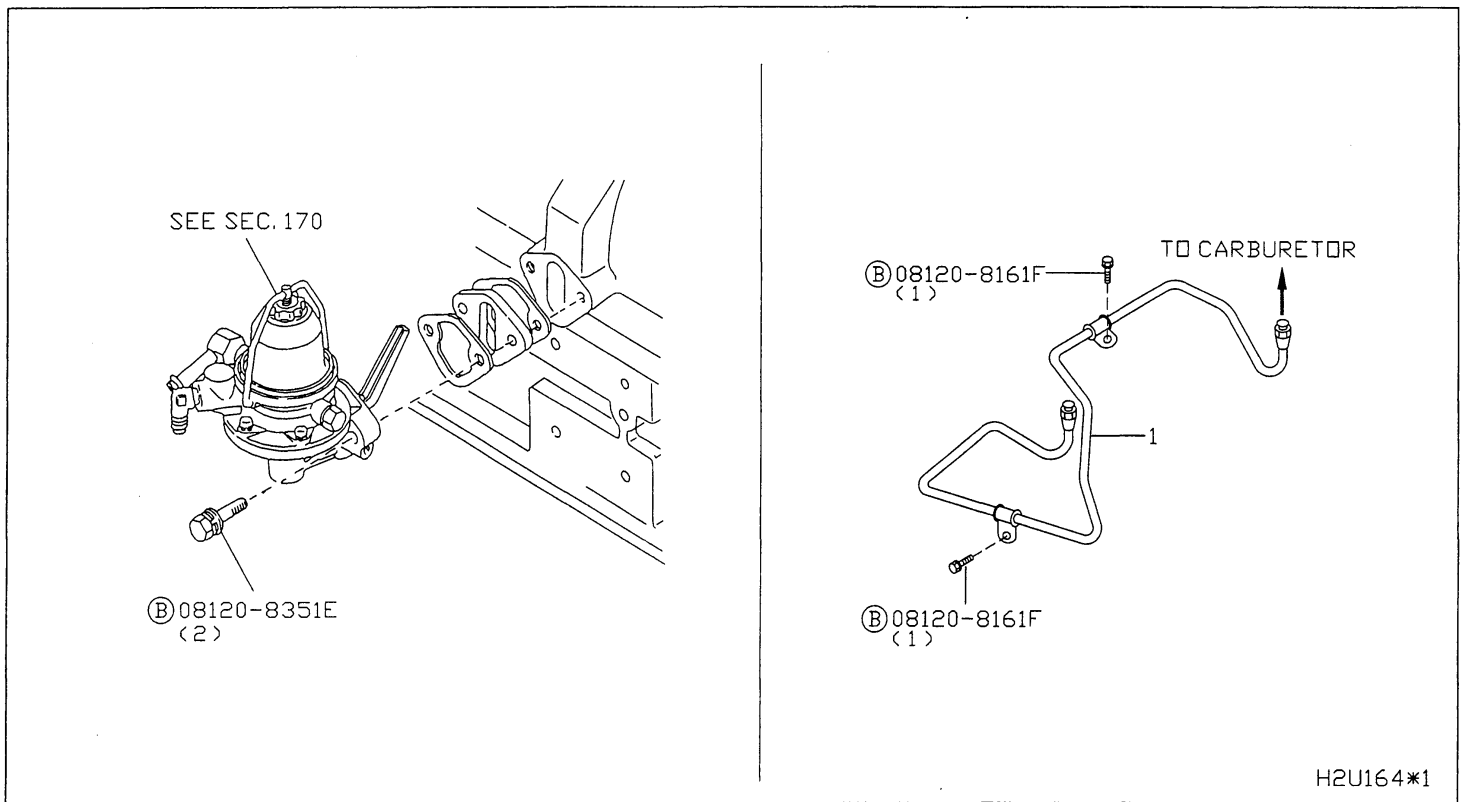
SEC.150 LUBRICATING SYSTEM



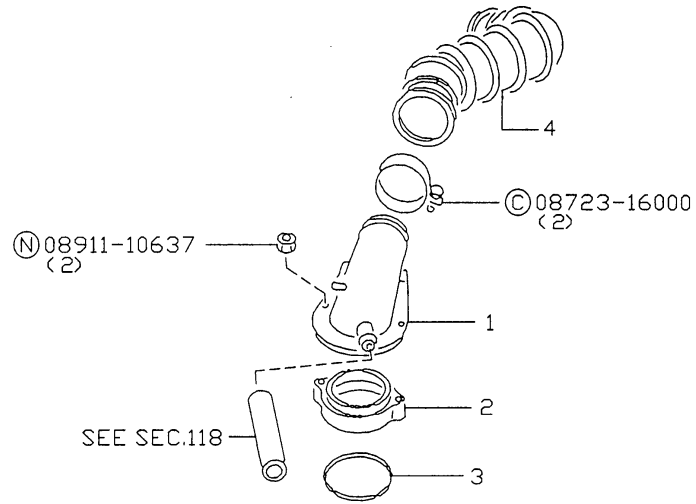
SEC.160 CARBURETOR



SEC.164 FUEL PIPING

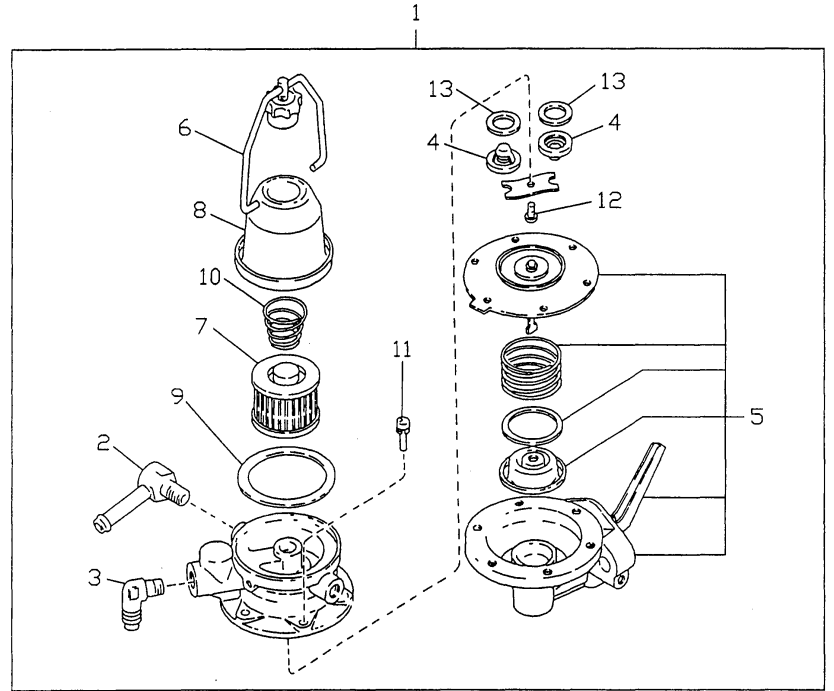
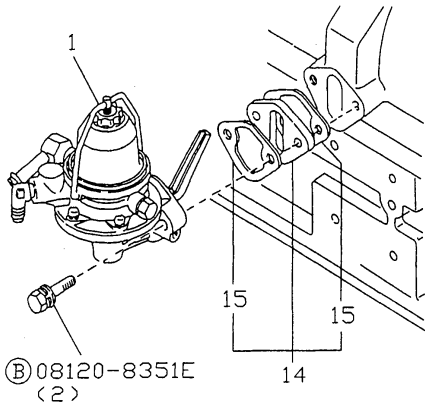


SEC.165 AIR CLEANER



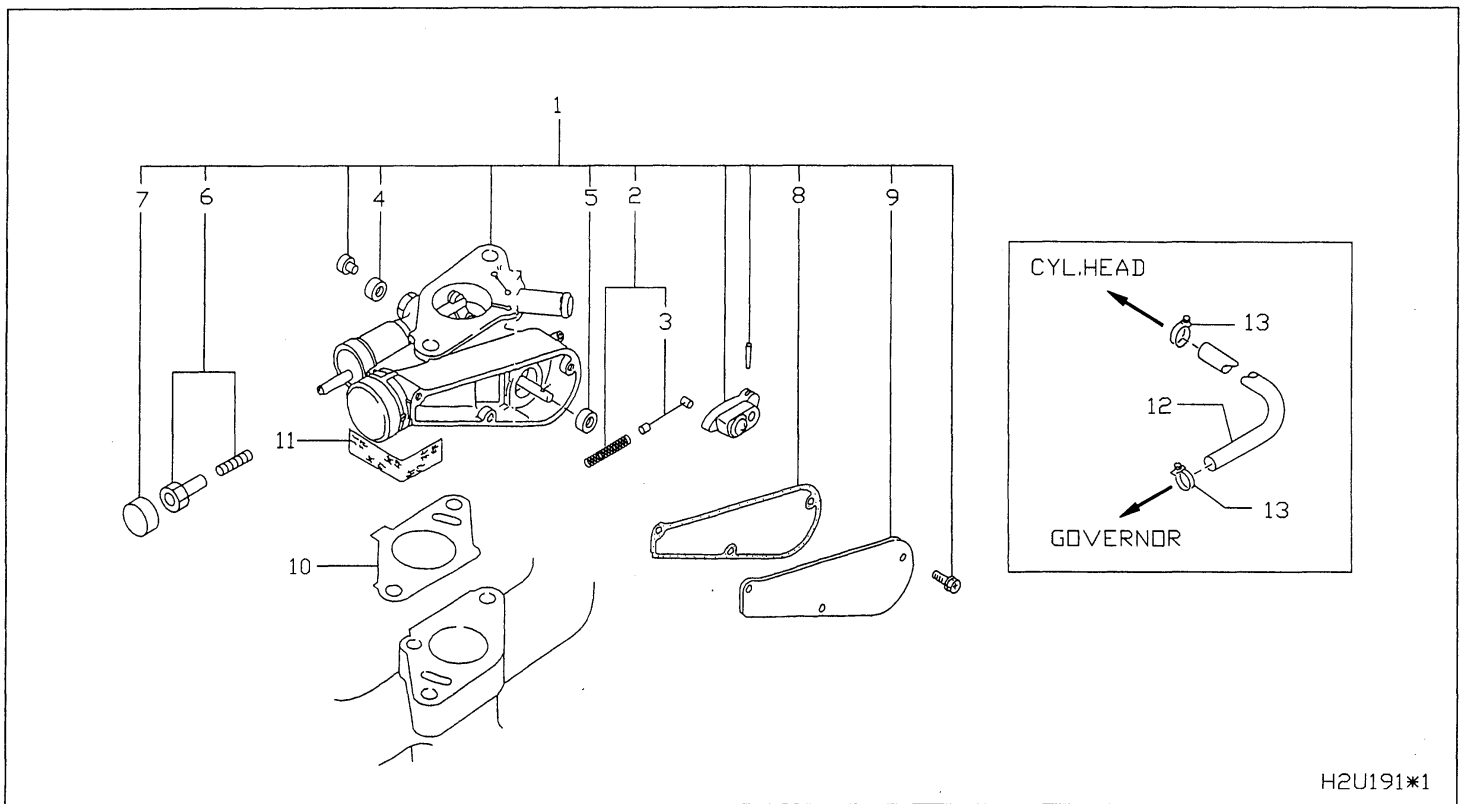
H2U165*1

SEC.170 FUEL PUMP

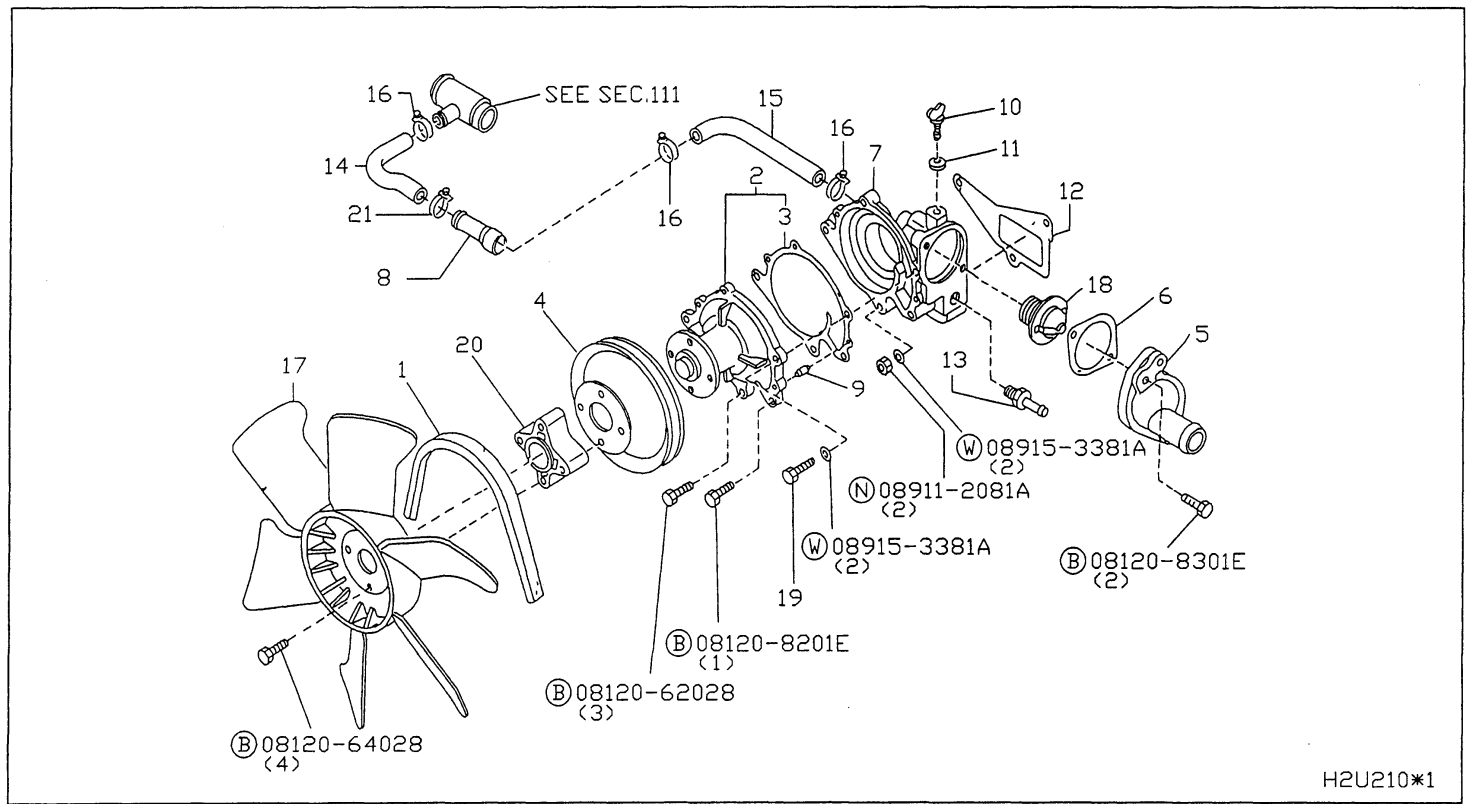


H2U170*1

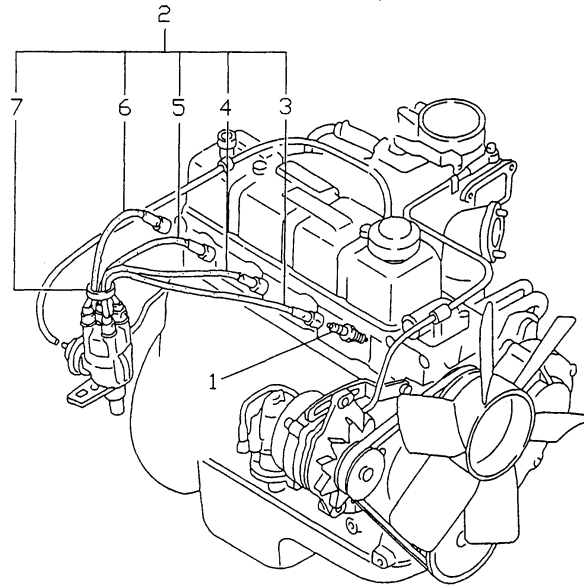
SEC.191 GOVERNOR



SEC.210 WATER PUMP, COOLING FAN & THERMOSTAT

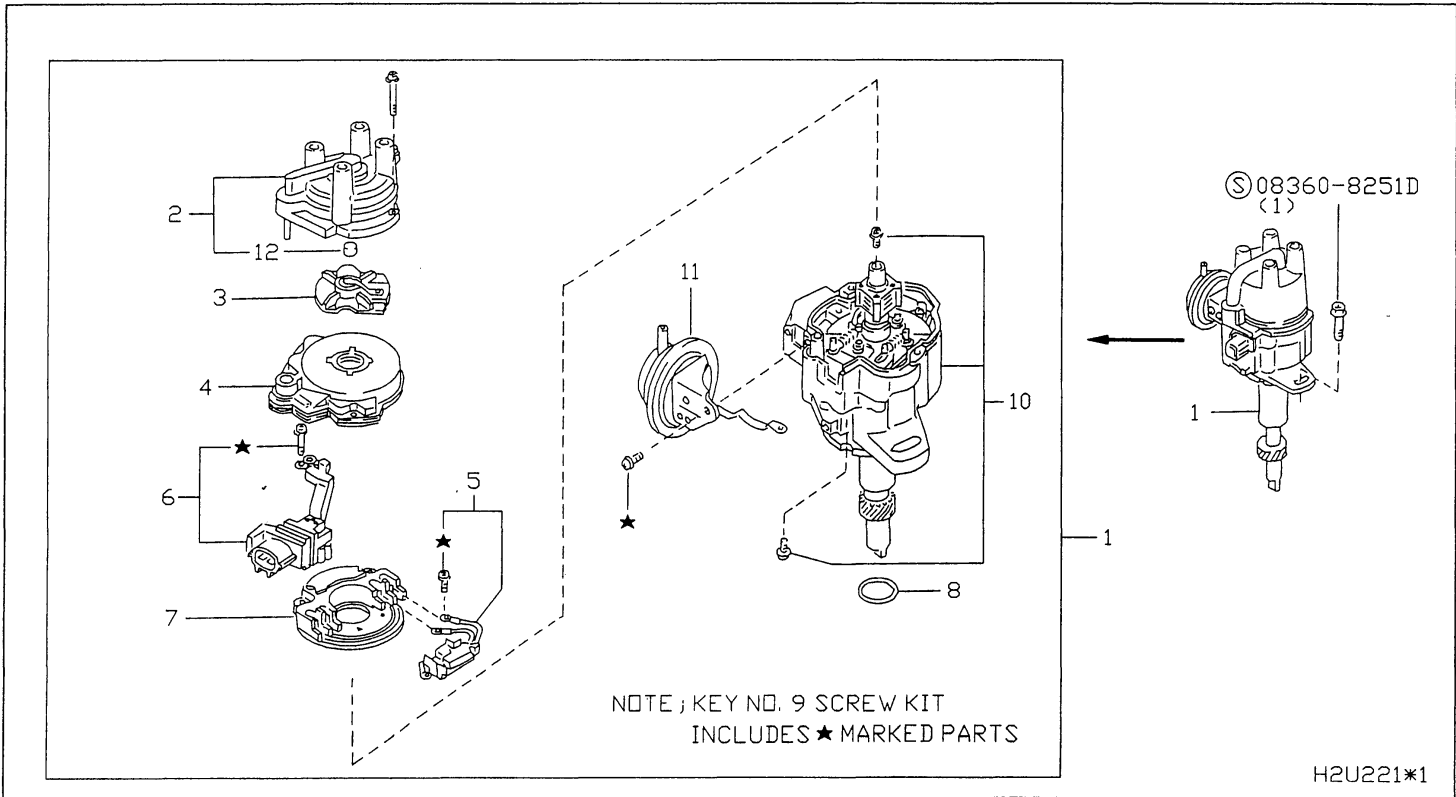


SEC.220 IGNITION SYSTEM



H2U220*1

SEC.221 DISTRIBUTOR

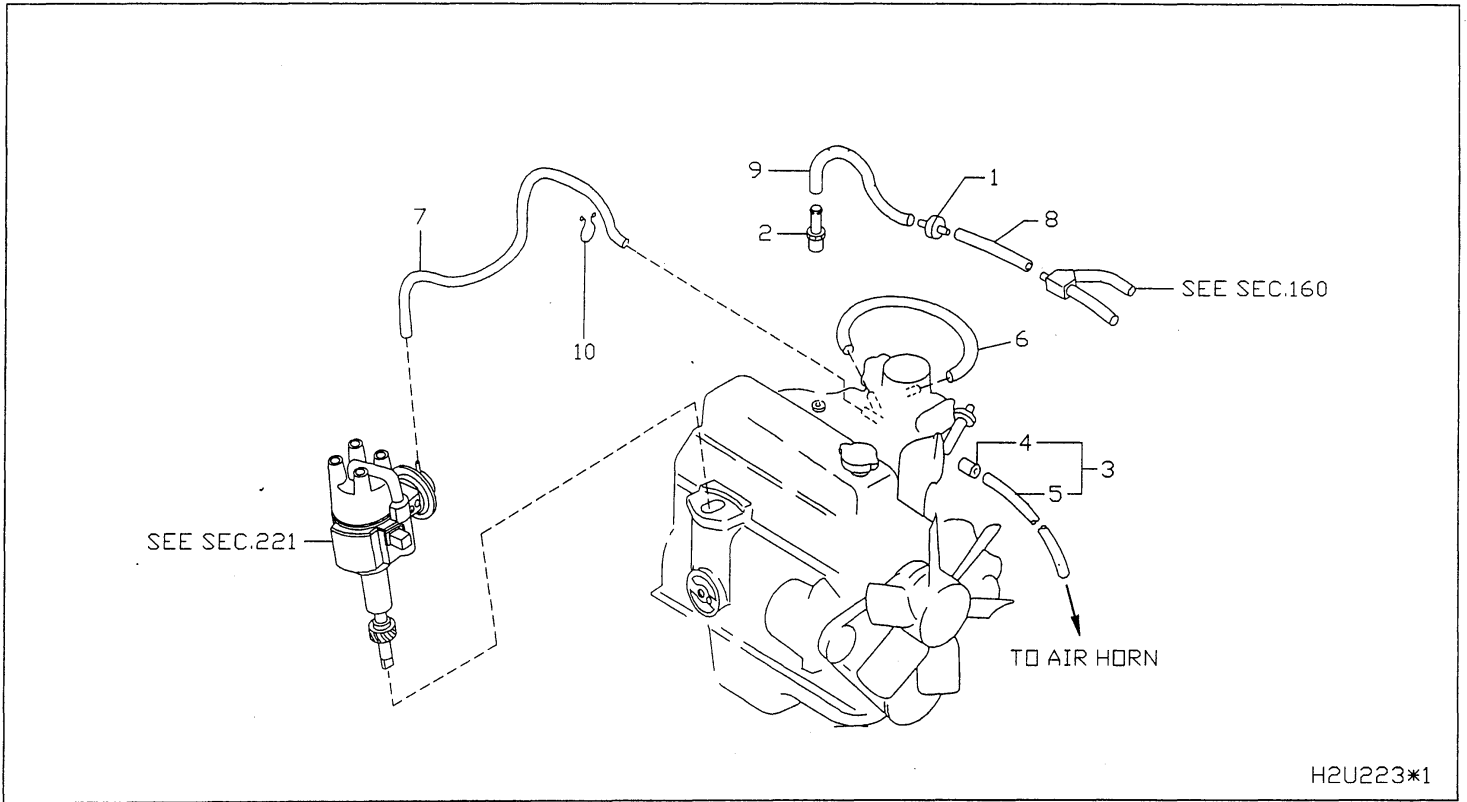


SEC.221 DISTRIBUTOR

APPLIED MODEL																			
1	1	1	1	1															
0	0	0	0	0															
0	0	0	0	0															
8	8	8	7	7															
4	5	6	7	7															
V	V	V	V	V															
8	8	8	0	0															
0	0	0	0	0															

N	S	KEY NO.	L	E	PART NO.	PART NAME	SPECIFICATION	QTY	APPLIED DATE	ICA INF	FORMER PART NO.	K	APPLIED MODEL																						
													D	01	02	03	04	05	06	07	08	09	10	11	12	13	14	15	16	17	18	19	20		
C		1 01 1			22100-50K15	DISTRIBUTOR ASSY			01 0498-				0	0		0																			
C		02 1			22100-60K15				01 1096-						0																				
N		03 1			22100-55K15				01 0498-																										
C		2 01 2			22162-55K10	CAP ASSY-DISTRIBUTOR <i>33504281</i>	<i>3332512</i>		01 1096-				0	0	0	0																			
C		3 01 2			22157-55K15	ROTOR-HEAD	<i>3336160</i>		01 1096-				0	0	0	0																			
C		4 01 2			22125-50Y11	COVER			01 1096-				0	0	0	0																			
C		5 01 2			22229-50Y10	PICK UP KIT	<i>3332515</i>		01 1096-				0	0	0	0																			
C		6 01 2			22404-55K10	CONNECTOR ASSY			01 1096-				0	0	0	0																			
C		7 01 2			22020-55K10	IGNITION UNIT	<i>3332517</i>		01 1096-				0	0	0	0																			
C		8 01 2			22131-55K10	SEAL-O RING			01 1096-				0	0	0	0																			
C		9 01 2			22750-M0110	SCREW KIT			01 1096-				0	0	0	0																			
C		10 01 2			22106-50K15	HOUSING SET			01 0498-				0	0																					
C		02 2			22106-60K15				01 1096-						0																				
N		03 2			22106-55K15				01 0498-																										
C		11 01 2			22301-50K10	CONTROL ASSY-VACUUM			01 0498-				0	0																					
C		02 2			22301-60K10				01 1096-						0																				
N		03 2			22301-55K10				01 0498-																										
N		12 01 3			22165-M5610	POINT ASSY-CARBON			01 1096-				0	0	0	0																			

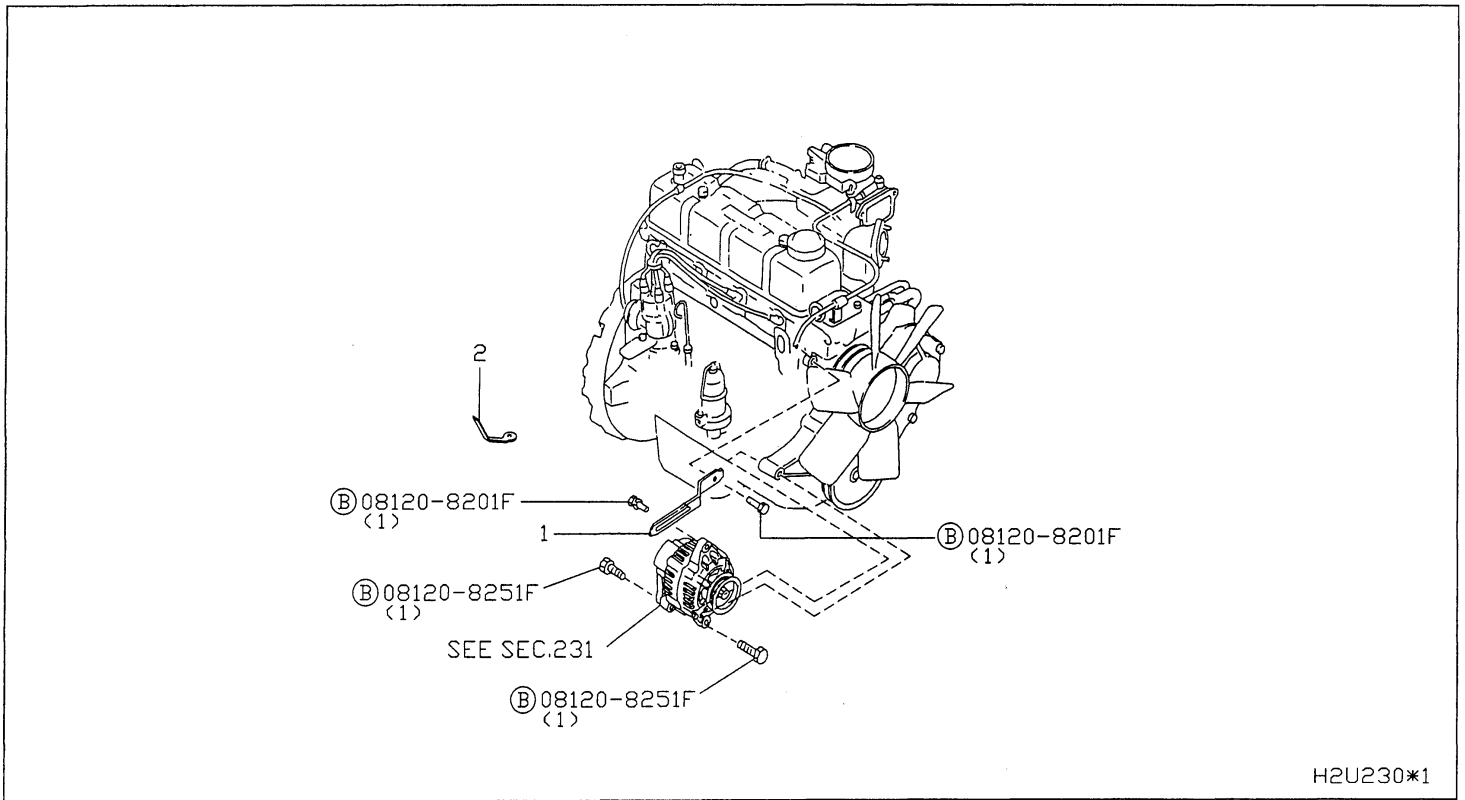
SEC.223 VACUUM PIPING



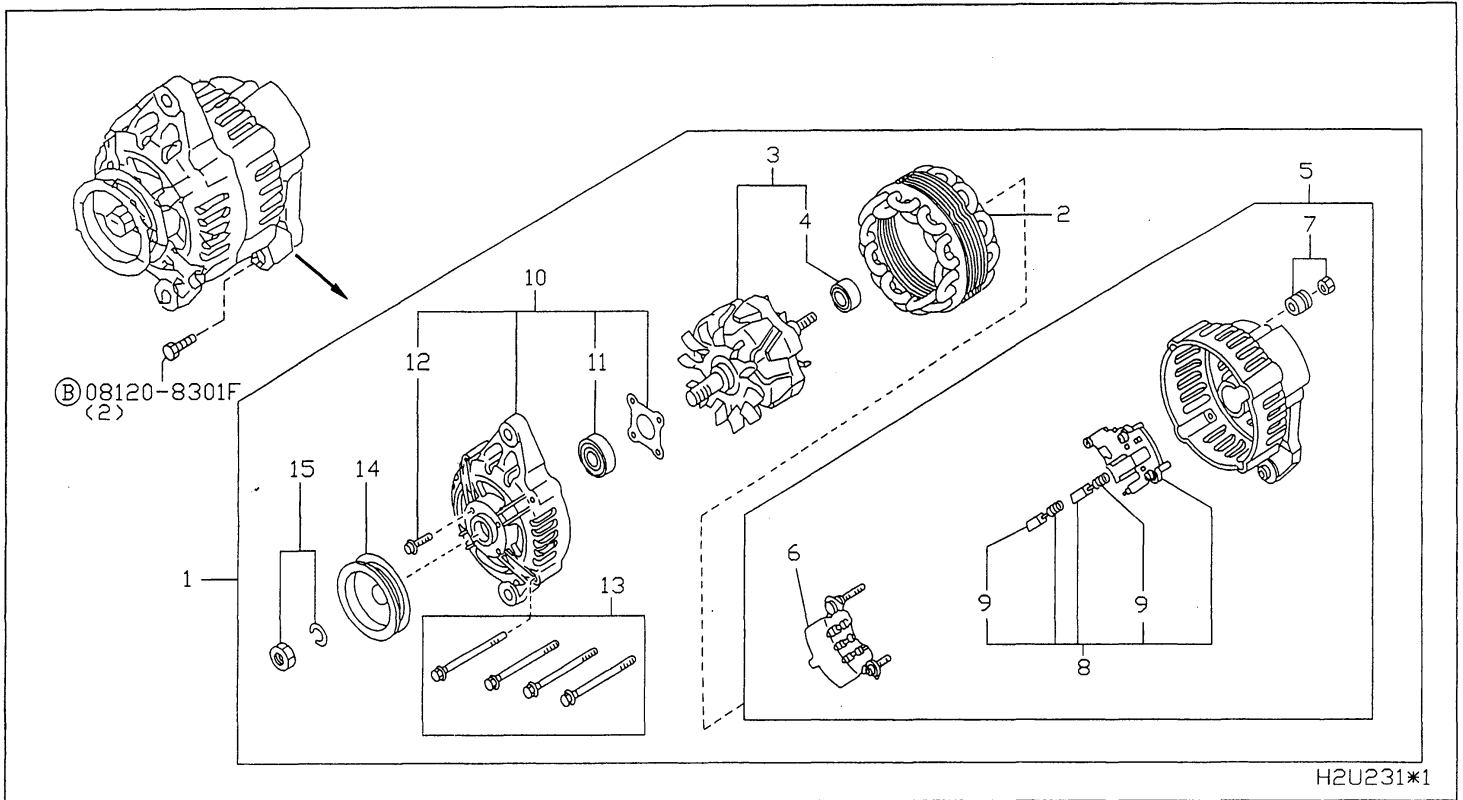
SEC.223 VACUUM PIPING

APPLIED MODEL																			
1	0	1	0	1	0	1	0	1	0	1	0	1	0	1	0	1	0	1	0
0	1	0	1	0	1	0	1	0	1	0	1	0	1	0	1	0	1	0	1
0	0	0	0	0	0	0	0	0	0	0	0	0	0	0	0	0	0	0	0
1	1	1	1	1	1	1	1	1	1	1	1	1	1	1	1	1	1	1	1
8	8	8	7	7	7	7	7	7	7	7	7	7	7	7	7	7	7	7	7
4	5	6	5	6	7	8	8	8	8	8	8	8	8	8	8	8	8	8	8
V	V	V	V	V	V	V	V	V	V	V	V	V	V	V	V	V	V	V	V
8	8	8	8	8	8	8	8	8	8	8	8	8	8	8	8	8	8	8	8
0	0	0	0	0	0	0	0	0	0	0	0	0	0	0	0	0	0	0	0
N	1	01	1	14958-H9810	VALVE ASSY-DELAY	01	1096-												
N	02	1	14958-50K00		SERVICE ONLY	01	1096-												
N	2	01	1	14875-A2600	CONNECTOR, B	01	1096-												
N	3	01	1	22318-K9300	HOSE-VACUUM CONTROL	L=270	01	1096-											
N	4	01	2	16335-34A00	ORIFICE-NO 1		01	1096-											
N	5	01	2	22319-50K70	HOSE-VACUUM CONTROL		01	1096-											
N	6	01	1	02187-41301	HOSE-VACUUM CONTROL	L=130S/#B2320-Y4001	01	1096-											
N	7	01	1	02187-46401	HOSE-VACUUM CONTROL	L=640S/#B2320-Y4001	01	1096-											
N	02	1	1	02187-47201			01	0498-											
N	8	01	1	02187-41301	HOSE-VACUUM CONTROL	L=130S/#B2320-Y4001	01	1096-											
N	9	01	1	02187-41601	HOSE-VACUUM CONTROL	L=160S/#B2320-Y4001	01	1096-											
N	10	01	1	01552-00321	CLIP-HARNESS		02	1096-											

SEC.230 ALTERNATOR FITTING



SEC.231 ALTERNATOR

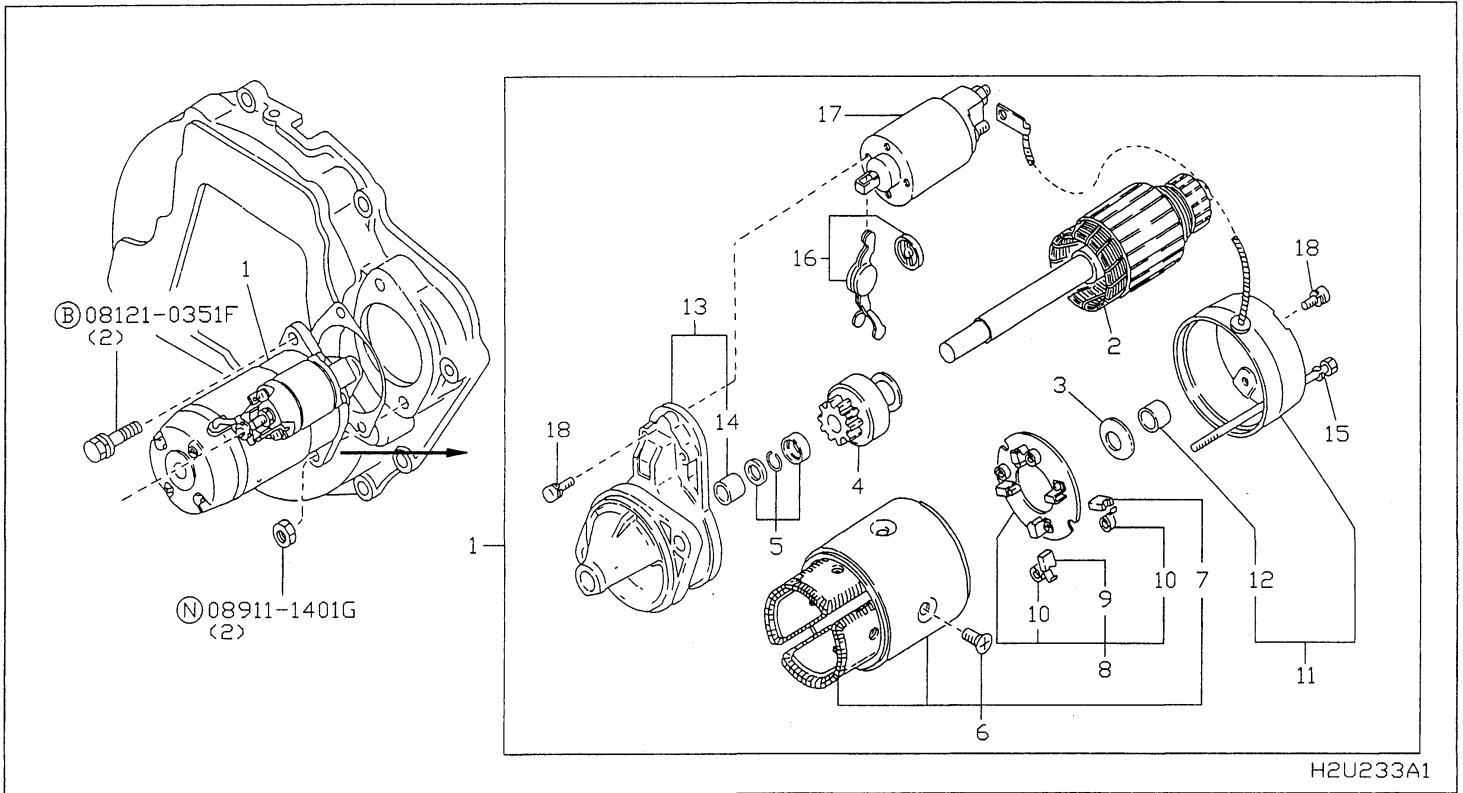


SEC.230 ALTERNATOR FITTING

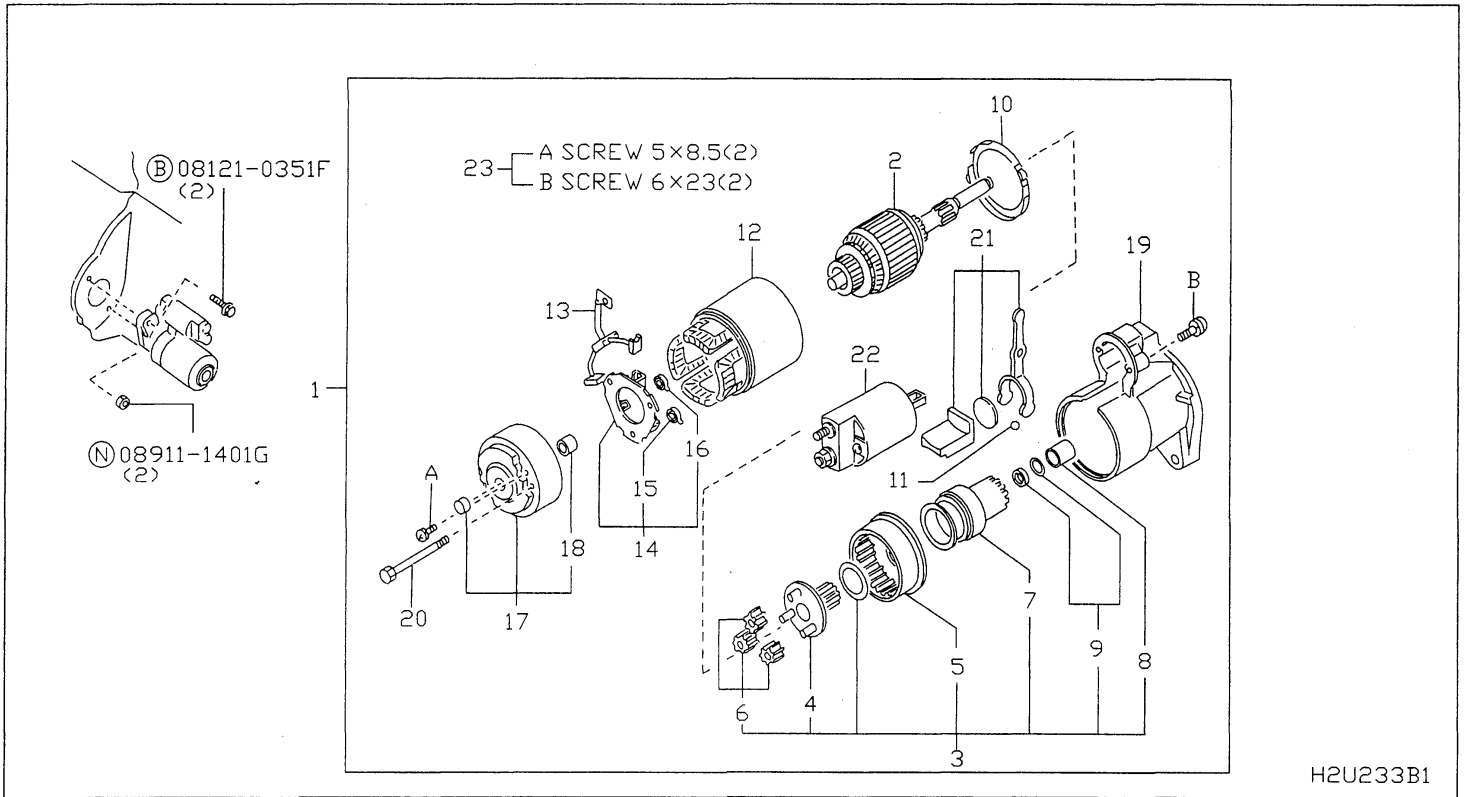
APPLIED MODEL

N C	S	KEY NO.	L E V	PART NO.	PART NAME	SPECIFICATION	QTY	APPLIED DATE	ICA NF	FORMER PART NO.	K D	1 0 1 0 0 8 4 V 8 0	1 0 1 0 0 8 5 V 8 0	1 0 1 0 0 8 6 V 8 0	1 0 1 0 0 7 7 V 0 0	1 0 1 0 0 7 7 V 1 0	1 0 1 0 0 7 7 V 2 0	APPLIED MODEL																											
																		07	08	09	10	11	12	13	14	15	16	17	18	19	20														
C	1	01	1	11715-50K00	BAR-ADJUSTING, ALTERNATOR			01 1096-				○	○	○	○	○	○																												
N	2	01	1	24210-89944	CLIP-HARNES			02 1096-				○		○	○	○	○																												

SEC.233A STARTER MOTOR



SEC.233B STARTER MOTOR



233B-1

H2U233B1

SEC.233B STARTER MOTOR

APPLIED MODEL																				
1	1	1	1	1																
0	0	0	0	0																
0	0	0	0	0																
1	1	1	1	1																
8	8	8	7	7																
4	5	6	6	7																
V	V	V	V	V																
8	8	8	8	0																
0	0	0	0	0																

N C	KEY NO.	E V	PART NO.	PART NAME	SPECIFICATION	071	APPLIED DATE	ICA NF	FORMER PART NO.	K D																																
											01	02	03	04	05	06	07	08	09	10	11	12	13	14	15	16	17	18	19	20												
	1	01	1	23300-K9160	MOTOR ASSY-STARTER		3350432		01 0498-																																	
	2	01	2	23310-01N11	ARMATURE ASSY				01 0498-																																	
	3	01	2	23312-K9160	PINION ASSY				01 0498-																																	
	4	01	3	23312-W9811	SHAFT-PINION				01 0498-																																	
	5	01	3	23360-30R12	GEAR ASSY-INTERNAL				01 0498-																																	
	6	01	3	23361-42L70	GEAR				03 0498-																																	
	7	01	3	23354-K9160	CLUTCH ASSY				01 0498-																																	
	8	01	3	23316-86G10	CAP				01 0498-																																	
	9	01	3	23465-W9810	STOPPER SET-PINION				01 0498-																																	
	10	01	2	23385-42L70	PACKING				01 0498-																																	
	11	01	2	23325-42L70	BALL-SHIFT LEVER				01 0498-																																	
	12	01	2	23302-77A10	YOKE				01 0498-																																	
	13	01	2	23380-K9160	BRUSH-PLUS				01 0498-																																	
	14	01	2	23378-42L70	HOLDER ASSY-BRUSH				01 0498-																																	
	15	01	3	23333-42L70	SPRING-BRUSH				02 0498-																																	
	16	01	3	23333-42L71	SPRING				02 0498-																																	
	17	01	2	23337-01N10	COVER ASSY-REAR				01 0498-																																	
	18	01	3	23338-01N10	METAL-REAR COVER				01 0498-																																	
	19	01	2	23318-K9160	CASE ASSY-GEAR				01 0498-																																	
	20	01	2	23340-20P10	BOLT-THROUGH				02 0498-																																	
	21	01	2	23322-42L70	LEVER SET-SHIFT				01 0498-																																	
	22	01	2	23343-00H11	SWITCH ASSY-MAGNETIC				01 0498-																																	
	23	01	2	23480-M0110	SCREW SET				01 0498-																																	

MEMO

 **NISSAN**
GENUINE PARTS

INDEX (CLASSIFIED BY PART NO.)

PART NO. INDEX

PART NO	Page	PART NO	Page	PART NO	Page	PART NO	Page	PART NO	Page	PART NO	Page
		.11057-H5010	111 -2	12037-50K00	120 -2	.12320-50K00	135 -2	.13270-E3400	111 -2	.16054-20J00	160 -3
		.11060-50K00	111 -2	12037-55K00	120 -2	.12320-85V80	135 -2	.13274-B1101	111 -2	.16054-26T00	160 -3
00000		.11060-W7000	210 -2	12037-60K00	120 -2	.12351-50K10	120 -3	.13275-E0720	111 -2	.16054-60K00	160 -3
		.11061-50K00	210 -2	12100-50K00	120 -2	.12352-00H00	120 -3	.13289-58000	130 -2	.16059-60K00	160 -4
		.11062-07N00	210 -2	12100-60K00	120 -2	.12353-50K10	120 -3	.13501-50K00	135 -2	.16059-D0100	160 -4
01552-00321	223 -2	.11063-Y4400	111 -2	12109-40F00	120 -2	.12354-50K00	120 -3	.14003-50K76	140 -2	.16059-D1402	160 -3
01555-00191	210 -2	.11065-30000	111 -2	12109-D0210	120 -2	.13001-50K00	130 -2	.14004-K7000	140 -2	.16061-55K00	160 -2
02117-00511	210 -2	.11072-50K01	210 -2	12111-85G00	120 -3	.13002-71200	110 -2	.14004-L1101	140 -2	.16069-B8500	160 -3
02117-03011	210 -2	.11099-50K02	111 -2	12111-D2800	120 -3	.13010-78201	130 -2	.14035-50K00	140 -2	.16071-01M00	160 -2
02187-41301	223 -2	.11110-50K00	110 -2	12112-40F00	120 -2	.13013-78200	130 -2	.14037-32200	140 -2	.16098-D0100	160 -2
02187-41601	223 -2	.11119-61000	110 -2	12112-D2800	120 -3	.13021-03G00	120 -3	.14037-E3000	140 -2	.16101-53L02	160 -2
02187-46401	223 -2	.11128-69200	110 -2	12112-H1000	120 -2	.13024-50K00	130 -2	.14049-76001	111 -2	.16116-60K00	160 -3
02187-47201	223 -2	.11140-50K00	110 -2	12113-D2800	120 -3	.13028-50K00	130 -2		210 -2	.16134-60K00	160 -3
		.11392-50K00	110 -2	12114-D2800	120 -3	.13032-85V00	135 -2	.14053-E0600	140 -2	.16138-55K00	160 -3
		.11715-50K00	230 -2	12117-85G00	120 -3	.13034-50K00	135 -2	.14055-50K01	210 -2	.16143-55K00	160 -3
10000		.11810-A3501	118 -2	12121-85G00	120 -3	.13037-85V00	135 -2	.14056-50K00	191 -2	.16144-50K00	160 -3
		.11828-50K00	118 -2	12122-85G00	120 -3	.13042-A3510	135 -2	.14075-40F04	210 -2	.16144-55K00	160 -3
		.11830-50K00	118 -2	12201-50K00	120 -3	.13070-50K00	130 -2	.14080-50K00	210 -2	.16145-B8500	160 -3
10005-1E400	111 -2	.12010-50K00	120 -2	12201-60K00	120 -3	.13201-50K00	130 -2	.14875-A2600	223 -2	.16148-50Y00	160 -3
10005-50K01	111 -2	.12010-50K70	120 -2	12207-50K00	120 -3	.13202-50K02	130 -2	.14958-50K00	223 -2	.16151-D4000	160 -3
11000-50K01	110 -2	.12010-50K71	120 -2	12208-50K00	120 -3	.13203-50K00	130 -2	.14958-H9810	223 -2	.16156-11200	160 -3
11000-55K01	110 -2	.12010-50K72	120 -2	12209-50K00	120 -3	.13207-53F00	130 -2	.15010-66202	150 -2	.16156-55K00	160 -3
11000-60K01	110 -2	.12010-55K00	120 -2	12210-50K00	120 -3	.13209-01B00	130 -2	.15066-78200	150 -2	.16160-55K00	160 -3
11019-32201	110 -2	.12010-55K70	120 -2	12211-50K00	120 -3	.13210-01M00	130 -2	.15075-50K01	110 -2	.16160-85G60	160 -3
11023-78200	110 -2	.12010-55K71	120 -2	12212-50K00	120 -3	.13222-78200	130 -2	.15208-01B01	150 -2	.16165-55K00	160 -2
11024-78200	110 -2	.12010-55K72	120 -2	12279-50K00	110 -2	.13223-78200	130 -2	.15208-01B02	150 -2	.16174-50K00	191 -2
11024-85G01	110 -2	.12010-60K00	120 -2	12293-P0500	110 -2	.13224-78200	130 -2	.15213-21002	150 -2	.16174-50K10	160 -4
11024-K0100	110 -2	.12010-60K70	120 -2	12297-50K00	110 -2	.13226-78200	130 -2	.15241-16A01	150 -2	.16187-50K00	160 -3
11026-61000	110 -2	.12010-60K71	120 -2	12303-50K00	120 -3	.13231-H1001	130 -2	.15255-85500	111 -2	.16196-55K00	160 -3
11040-50K02	111 -2	.12010-60K72	120 -2	12308-W3400	120 -3	.13234-78200	130 -2	.15270-B3400	111 -2	.16199-55K00	160 -2
11040-55K02	111 -2	.12033-50K00	120 -2	12309-29S00	120 -3	.13235-78200	130 -2	.16010-50K01	160 -2	.16217-50K00	160 -2
11040-60K02	111 -2	.12033-55K00	120 -2	12310-50K00	120 -3	.13238-12200	130 -2	.16010-55K01	160 -2	.16217-60K00	160 -3
11044-50K00	111 -2	.12033-60K00	120 -2	12310-85V00	120 -3	.13252-32200	130 -2	.16010-60K11	160 -2	.16245-11200	160 -3
11044-55K00	111 -2	.12035-50K00	120 -2	12312-19G00	120 -3	.13254-58000	130 -2	.16013-55K00	160 -3	.16249-55K00	160 -3
11044-60K00	111 -2	.12035-55K00	120 -2	12312-50K00	120 -3	.13255-58000	130 -2	.16033-20J00	160 -3	.16266-50K01	160 -2
11046-73402	110 -2	.12035-60K00	120 -2	12313-10600	120 -4	.13256-W0400	130 -2	.16033-A4500	160 -3	.16266-55K01	160 -2
	135 -2	.12036-50K00	120 -2	12313-L1122	135 -2	.13258-78201	130 -2	.16033-T8000	160 -3	.16266-60K10	160 -2
	210 -2	.12036-55K00	120 -2	12315-42L11	120 -3	.13259-78201	130 -2	.16036-50K00	160 -3	.16267-50K00	165 -2
11053-73400	110 -2	.12036-60K00	120 -2	12315-58S00	120 -3	.13264-50K01	111 -2	.16036-55K00	160 -3	.16267-55K00	160 -2

PART NO. INDEX

PART NO	Page	PART NO	Page	PART NO	Page	PART NO	Page	PART NO	Page
16286-85G00	160 -3	17103-05H01	170 -2	22106-55K15	221 -2	23300-00H10	233A -2	23480-M0110	233A -2
16302-55K00	160 -2	17103-K5001	170 -2	22106-60K15	221 -2	23300-K9160	233B -2		233B -2
16313-60K00	160 -2	17522-50K00	164 -2	22125-50Y11	221 -2	23302-77A10	233B -2	24210-89944	230 -2
16313-60K01	160 -2	19100-50K00	191 -2	22131-55K10	221 -2	23302-T5000	233A -2	25080-89903	111 -2
16313-60K10	160 -2	19100-55K00	191 -2	22157-55K15	221 -2	23310-01N11	233B -2	25240-89911	110 -2
16335-34A00	223 -2	19100-60K00	191 -2	22162-55K10	221 -2	23310-42L10	233A -2		
16389-55K00	160 -2	19110-50K00	191 -2	22165-M5610	221 -2	23312-K9160	233B -2		
16390-01M01	160 -2	19110-50K10	191 -2	22229-50Y10	221 -2	23312-W9811	233B -2	30000	
16390-50Y00	160 -2	19110-60K10	191 -2	22235-U7400	191 -2	23316-86G10	233B -2		
16391-55K00	160 -2	19206-50K01	191 -2	22301-50K10	221 -2	23318-00H10	233A -2		
16392-W7000	160 -2	19217-00H00	191 -2	22301-55K10	221 -2	23318-K9160	233B -2	30412-P5100	110 -2
16393-50Y00	160 -2	19217-00H20	191 -2	22301-60K10	221 -2	23319-M8011	233A -2	30413-61700	135 -2
16394-W7001	160 -2	19240-50K00	191 -2	22318-K9300	223 -2	23322-42L10	233A -2		
16396-55K00	160 -2	19244-50K00	191 -2	22319-50K70	223 -2	23322-42L70	233B -2		
16399-50Y03	160 -2	19253-50K02	191 -2	22401-V1414	220 -2	23325-42L70	233B -2		
16402-48200	170 -2			22401-W8914	220 -2	23333-42L70	233B -2		
16404-78213	170 -2	20000		22404-55K10	221 -2	23333-42L71	233B -2		
16405-10400	170 -2			22431-10560	220 -2	23333-M1510	233A -2	K0000	
16407-00H01	170 -2			22450-50K50	220 -2	23337-01N10	233B -2		
16420-85G00	170 -2			22451-66001	220 -2	23337-42L10	233A -2		
16439-42L00	191 -2	21010-50K28	210 -2	22452-66001	220 -2	23338-01N10	233B -2	KP710-00150	110 -2
	210 -2	21014-07N00	210 -2	22453-66001	220 -2	23338-M8011	233A -2		135 -2
16440-35210	170 -2	21051-00H00	210 -2	22454-80001	220 -2	23340-20P10	233B -2		
16455-60K00	160 -4	21051-01W00	210 -2	22750-M0110	221 -2	23340-M8010	233A -2		
16465-60K00	160 -4	21051-20500	210 -2	23100-50K10	231 -2	23343-00H10	233A -2		
16475-55K00	160 -4	21060-50K00	210 -2	23102-47N10	231 -2	23343-00H11	233B -2		
16520-50K00	160 -2	21064-19000	210 -2	23108-47N10	231 -2	23354-42L10	233A -2		
16520-67G00	160 -2	21064-J5000	210 -2	23115-47N10	231 -2	23354-K9160	233B -2		
16569-50K10	165 -2	21064-T8200	210 -2	23118-47N10	231 -2	23360-30R12	233B -2		
16575-52K00	165 -2	21079-50K00	210 -2	23120-22J20	231 -2	23361-42L70	233B -2		
16578-50K00	165 -2	21170-K9300	120 -4	23120-30R10	231 -2	23378-42L70	233B -2		
16827-85G00	160 -2	21200-50K00	210 -2	23124-50K11	231 -2	23378-M8011	233A -2		
17010-50K00	170 -2	21480-R0100	210 -2	23127-50K11	231 -2	23380-K9160	233B -2		
17013-J0105	170 -2	21481-18000	210 -2	23131-20P10	231 -2	23380-M8310	233A -2		
17061-50000	170 -2	22020-55K10	221 -2	23142-0B000	231 -2	23380-M8311	233A -2		
17065-13210	170 -2	22100-50K15	221 -2	23150-47N10	231 -2	23385-42L70	233B -2		
17075-M0100	170 -2	22100-55K15	221 -2	23153-70T12	231 -2	23460-M8011	233A -2		
17089-M0100	170 -2	22100-60K15	221 -2	23156-0B000	231 -2	23465-42L10	233A -2		
17099-85G00	170 -2	22106-50K15	221 -2	23215-50K11	231 -2	23465-W9810	233B -2		